

Swing Rig with GIZMO

main boom, fore yard & headsail boom for GIZMO
for Marblehead class

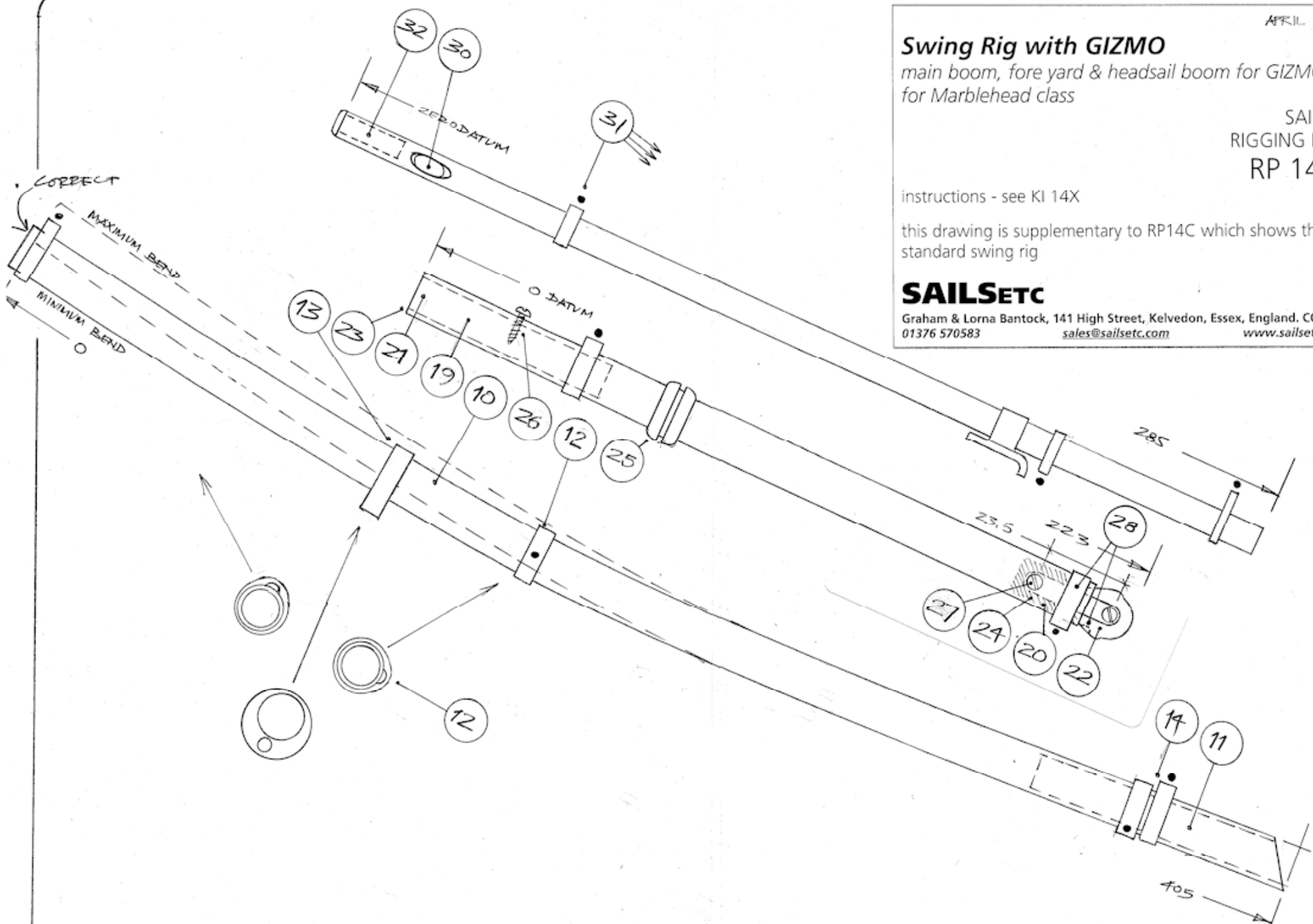
SAILSetc
RIGGING PLAN
RP 14X1

instructions - see KI 14X

this drawing is supplementary to RP14C which shows the
standard swing rig

SAILSetc

Graham & Lorna Bantock, 141 High Street, Kelvedon, Essex, England. CO5 9AA
01376 570583 sales@sailsetc.com www.sailsetc.com



APRIL 2014

Swing Rig with GIZMO

GIZMO rigging
for Marblehead class

SAILSetc
RIGGING PLAN
RP 14X2

instructions - see KI 14X

this drawing is supplementary to RP14C which shows the
standard swing rig

SAILSETC

Graham & Lorna Bantock, 141 High Street, Kelvedon, Essex, England. CO5 9AA
01376 570583 sales@sailsetc.com www.sailsetc.com

