

# 15

SAILSetc Catalogue Number

Fitting Description

**gooseneck/kicking strap – for 11.0, 11.1, 12.7 & 12.8 mm masts**

Applications

**IOM, 36R, 36/600, US One Metre, small yachts**

Drawing Code

Product Information **PI 15**

copyright SAILSetc 2008

Contents

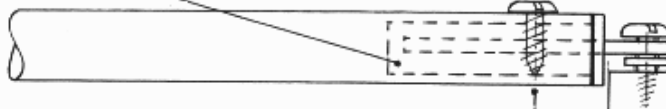
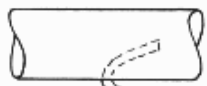
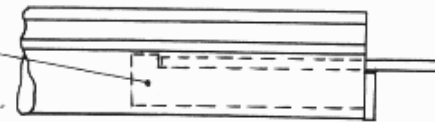
Qty	Item
1	gooseneck/kicking strap unit
1	75 mm x 12.8 mm diameter round alloy tube
1	No 4 x 9 mm pan head screw
4	No 2 x 9 mm pan head screw
1	1.8 mm diameter drill

Boom end fittings 103f and 103g are not provided with this unit.

Fix the tubular boom to the tang by bonding with epoxy filler. Drill with a 2.7 mm diameter drill for a self tapping fit for the screw provided.

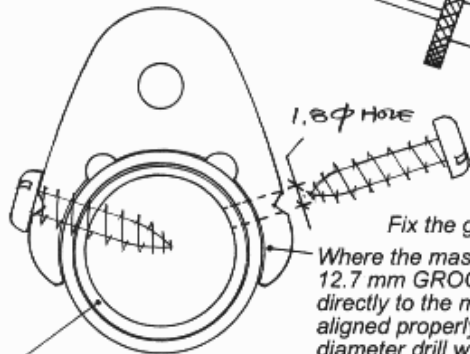
Boom end fitting, item 103g, is included in SAILSetc main boom kits.

Boom end fitting, item 103f, may be purchased separately & used to attach a boom with an 8 mm internal diameter.



Drill 2.7 mm diameter for a self tapping fit.

Position the four screws as shown.



Fix the gooseneck body to the mast as follows:

Where the mast is 12.8 mm diameter round tube or 12.7 mm GROOVY section, clip the gooseneck body directly to the mast in the required position. Ensure it is aligned properly and drill four holes using the 1.8 mm diameter drill where shown. Add the self tapping screws carefully to avoid breaking them.

Where the mast is 11.0 mm diameter round or 11.1 mm diameter GROOVY section, clip the gooseneck body to the top of the length of 12.8 mm diameter round tube provided and add the combined unit to the mast. Check the alignment is correct. Use cyano adhesive to fix the tubes and allow to cure. When it is hardened drill four holes using the 1.8 mm diameter drill where shown. Add the self tapping screws carefully to avoid breaking them.

